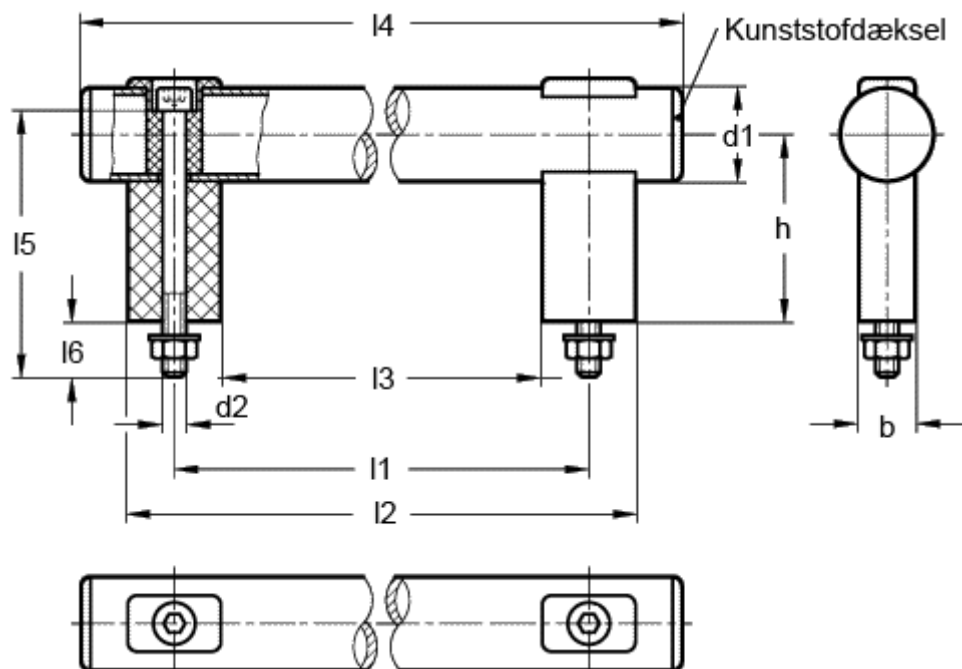


Article number: 20173250

Description: E+G Handle GN 666.1-30-M8-250-EL

## Measures



|          |         |
|----------|---------|
| b = 18   | 15 = 85 |
| d1 = 30  | 16 = 17 |
| d2 = M8  |         |
| h = 60   |         |
| 11 = 250 |         |
| 12 = 280 |         |
| 13 = 220 |         |
| 14 = 315 |         |